

DESCRIPTION

Designed for indoor use, the BS-301B is a 2-way speaker system featuring high power handling. It consists of a subwoofer and 4 satellite speakers. The subwoofer is equipped with two 16 cm cone speakers and each satellite speaker equipped with one 8 cm cone speaker. The subwoofer can be installed on a floor or to a wall, and the satellite speaker can be installed to a wall or ceiling.

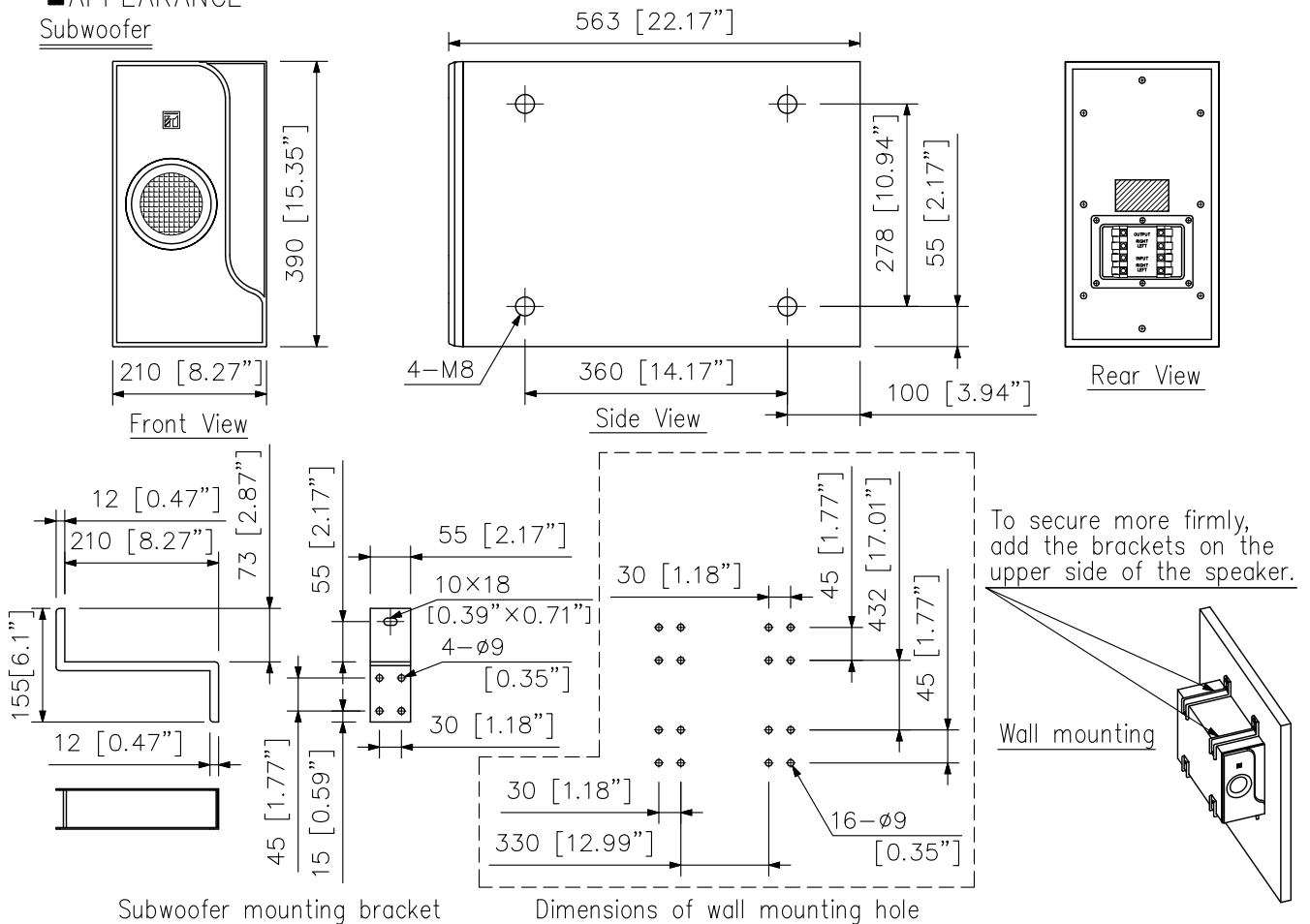
SPECIFICATIONS

Power Handling Capacity	Continuous program: 160 W* X2 channels Continuous pink noise: 80 W* X2 channels
Rated Impedance	4 Ω* X2 channels
Sensitivity	81 dB (1 W, 1 m)* X2 channels
Frequency Response	40 Hz - 20 kHz* X2 channels
Weight	13.9 kg (30.64 lb) (excluding mounting bracket)
Subwoofer	Rated impedance: 6 Ω X2 channels Speaker component: 16 cm (6.5") cone-type X2 channels Finish: Front panel...ABS resin, black Enclosure...Wood, black Speaker bracket...Steel plate, black, paint Dimensions: 210 (W) X 390 (H) X 563 (D) mm (8.27" X 15.35" X 22.17") Weight: 11.5 kg (25.35 lb) (excluding mounting bracket)
Satellite Speaker	Rated impedance: 8 Ω Speaker component: 8 cm (3") cone-type Finish: Enclosure, Front panel...HIPS resin, black Speaker bracket...Steel plate, black, paint Dimensions: 92 (W) X 97.5 (H) X 100 (D) mm (3.62" X 3.84" X 3.94") Weight: 600 g (1.32 lb) (excluding mounting bracket)
Product Composition	Subwoofer...1, Satellite speaker...4
Accessory	Subwoofer mounting bracket (black)...4, Rubber foot and fixing screw for subwoofer...4, Subwoofer mounting screw...4, Satellite speaker mounting bracket (black)...6, Satellite speaker mounting screw ...8, Sticker for satellite speaker (black)...8

* Overall characteristics measured in a set configuration of a subwoofer (L or R channel) and 2 satellite speakers.

APPEARANCE

Subwoofer

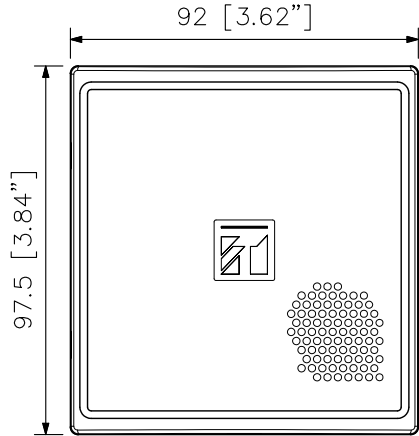


UNIT:mm SCALE:1/10

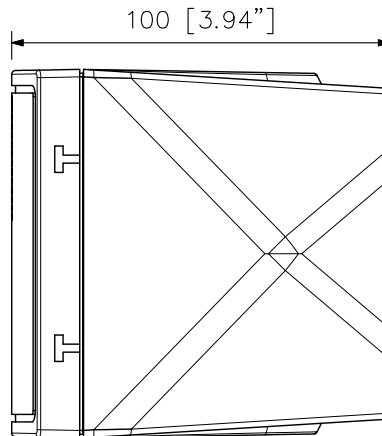
Note: Screw to mount the bracket are not provided.

■ APPEARANCE

Satellite Speaker



Front View



Side View

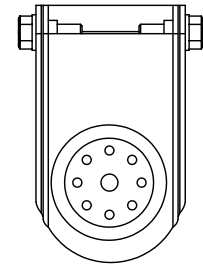
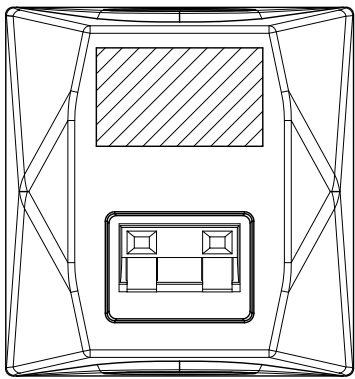
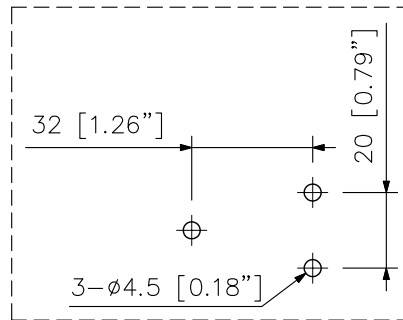


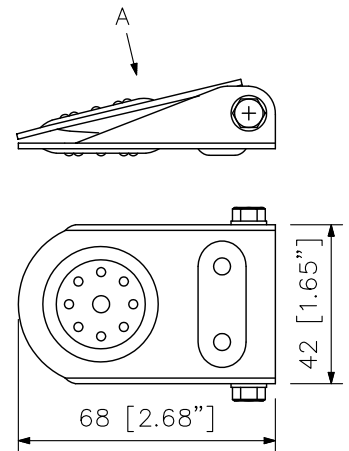
Figure as viewed from point A



Rear View

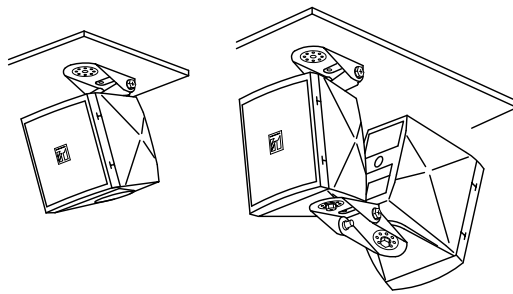


Dimensions of wall or ceiling mount hole

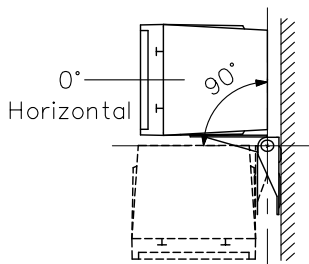


Satellite speaker mounting bracket

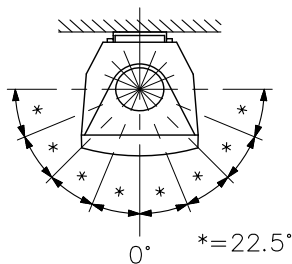
Ceiling mounted View



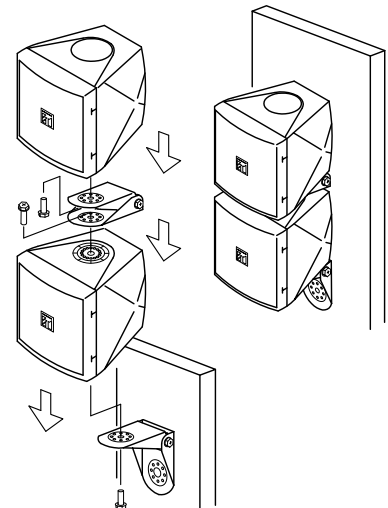
Wall mounted View



Side View



Top View



UNIT:mm SCALE:1/2

Note: Screw to mount the bracket onto the ceiling or wall are not provided.